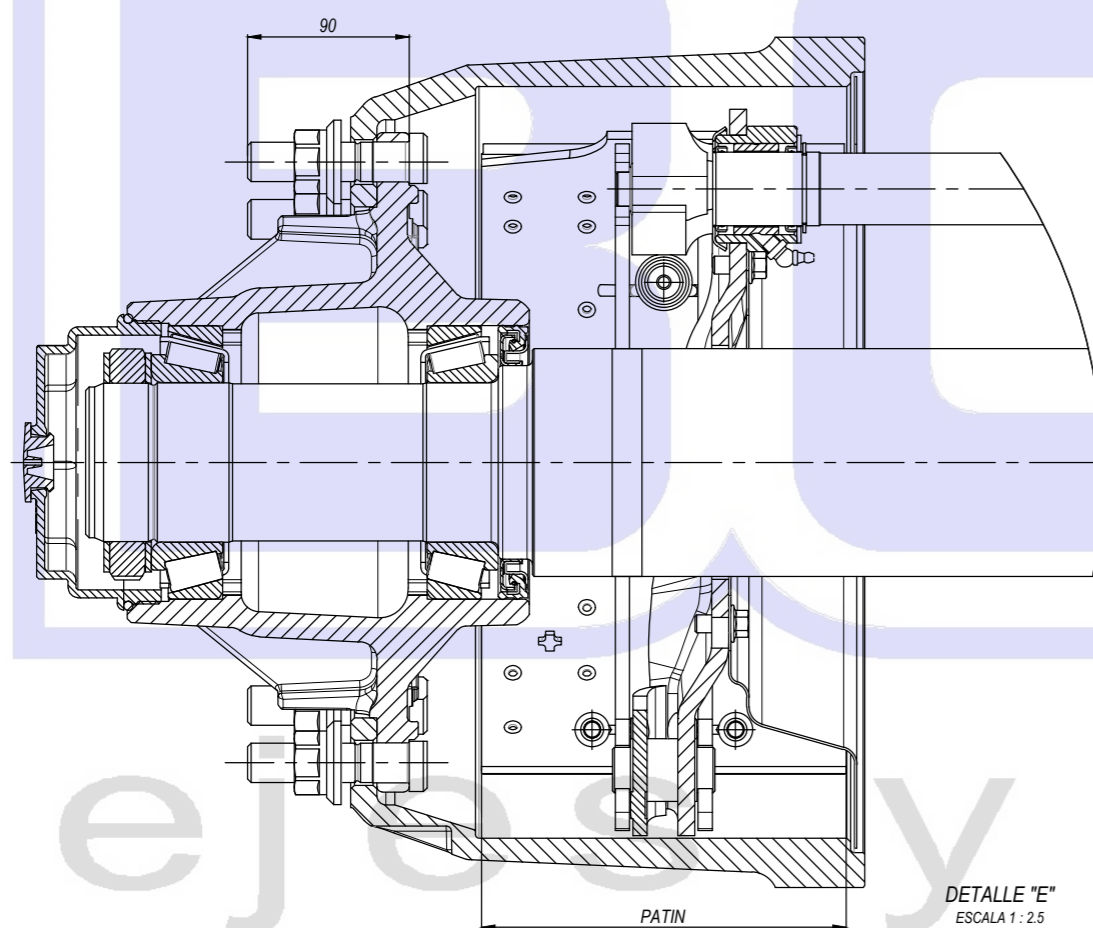
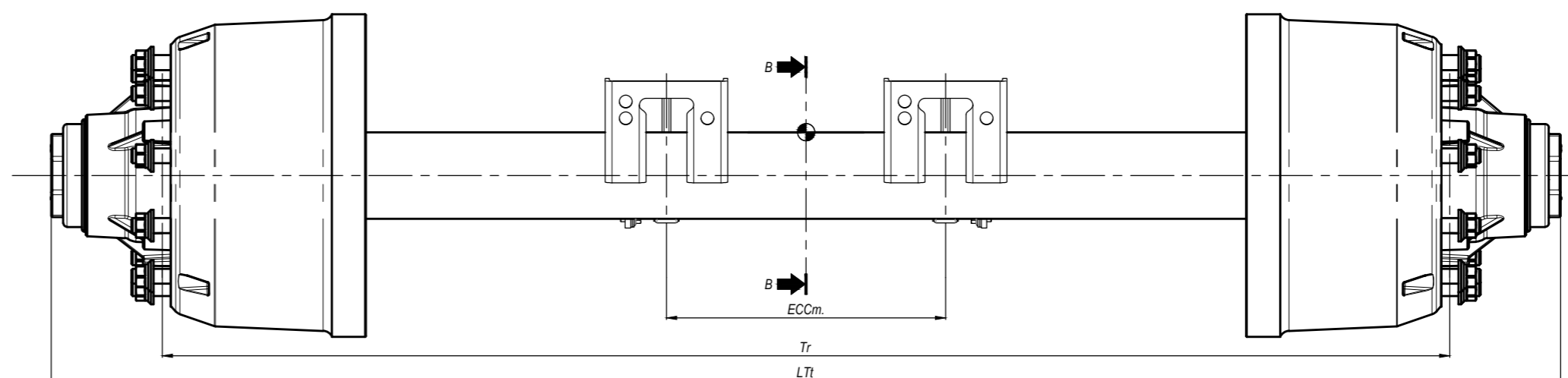
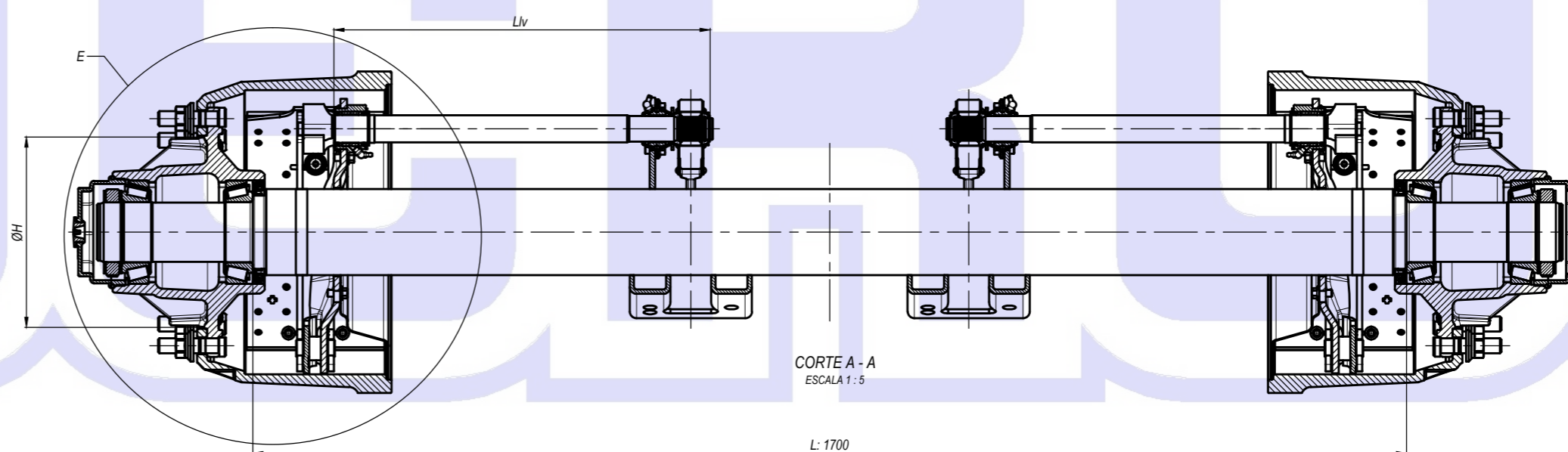


VISTA LATERAL
DERECHA
ESCALA 1:5



DETALLE "E"
ESCALA 1:2.5



CORTE A - A
ESCALA 1:5

TIPO EJE /AXLE TYPE	TROCHA TRACK [Tr]	ECCm	CAP. MAX	LARGO TOTAL TOTAL LENGHT [LT]	P.C.D	ØH	TIPO DE FRENO / BRAKE TYPE	RODADO RECOMENDADO/ RECOMMENDED WHEEL	TARA (Kg)
EJE DISCO 12Tn	1829mm	349mm	12000	2155mm	10 x 335mm	281mm	Q-Max 8" x Ø16"1/2	8,25" x 22,5"	358
	1889mm	409mm	12000	2215mm	10 x 335mm	281mm	Q-Max 8" x Ø16"1/2	8,25" x 22,5"	378
	1944mm	464mm	12000	2270mm	10 x 335mm	281mm	Q-Max 8" x Ø16"1/2	8,25" x 22,5"	385
EJE DISCO 12Tn CENTRO DEPRIMIDO	1840mm	475mm	12000	2199mm	10 x 335mm	281mm	Q-Max 8" x Ø16"1/2	8,25" x 22,5"	390
EJE SUPER SINGLE 9Tn	2100mm	1340mm	9000	2378mm	10 x 335mm	281mm	Q-Plus 7" x Ø16"1/2	11,75" x 22,5"	329
EJE DISCO 12Tn CARRETON	1829mm	240mm	12000	2193mm	10 x 225mm	176mm	Q-Max 7.5" x Ø12"1/4	6,75" x 17,5"	295
	1886mm	315mm	12000	2248mm	10 x 225mm	176mm	Q-Max 7.5" x Ø12"1/4	6,75" x 17,5"	300
	1941mm	347mm	12000	2291mm	10 x 225mm	176mm	Q-Max 7.5" x Ø12"1/4	6,75" x 17,5"	307
EJE DISCO 12Tn TRUNNION	959mm	207mm	12000	1314mm	10 x 335mm	281mm	Q-Max 7" x Ø16"1/2	8,25" x 22,5"	318
EJE DISCO 12Tn TRUNNION CARRETON	959mm	170mm	12000	1314mm	10 x 225mm	176mm	Q-Max 7.5" x Ø12"1/4	6,75" x 17,5"	300
EJE 5Tn	1700mm	560mm	5000	1958mm	6 x 205mm	160mm	Máster 4" x Ø13"	6,75 x 17,5"	200